

**SPECIFICATIONS**

**MATERIALS**

**Body:** PVC  
**O-Ring:** Nitrile Rubber  
**Contact Carrier:** Zytel ST801  
**Contact:** Brass, Gold Plated over Nickel  
**Coupling Nut:** Machined Aluminum, Clear Anodized  
**Cable:** #22 AWG PVC 26 x #36 stranding, 105°C, Or #18 AWG PVC 41 x #34 stranding, 105°C, UL Recognized, CSA Certified  
**Cable Diameters:** #22 AWG PVC w/o braid, 2/C-.17", 3/C-.18", 4/C-.19", 5/C-.21", 6/C-.22"

**ELECTRICAL**

**Voltage Rating:** 300 VAC  
**Current Rating:** #22 AWG 2 to 5 Pole – 4A, 6 Pole – 3A, #18 AWG – 5A  
 Contact Resistance: <5mΩ

**ENVIRONMENTAL**

**Protection:** IP68, NEMA 6P  
**Operating Temp:** -20°C to 105°C  
 Certifications



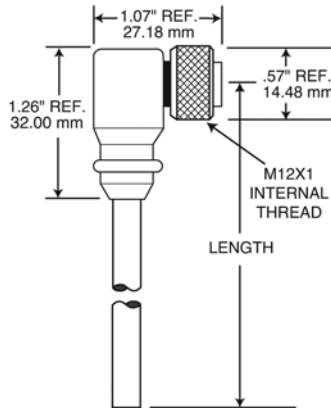
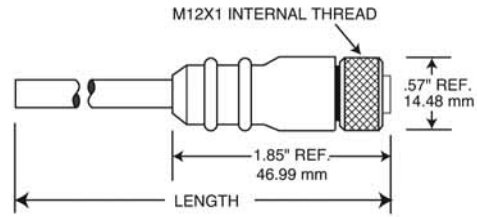
**OPTIONS**

#18 AWG (PVC) Plug Assemblies (2-5) Poles  
 Stainless Steel Couplers  
 Plastic Couplers

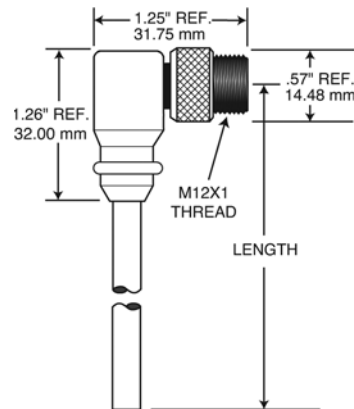
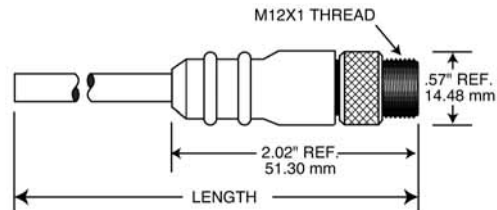
Consult the factory for custom wire length and a full range of wire management product accessories

**DIMENSIONS**




**Female Plugs**



**Male Plugs**



# MICRO-SYNC™ - Single Key (DC) Male & Female - Straight & 90°

Poles	Face View	Rating	Wiring Code	Overall Length (m/ft.)	MICRO-SYNC™ Straight Male	MICRO-SYNC™ Male 90°	MICRO-SYNC™ Female Straight	MICRO-SYNC™ Female 90°
3	Male 	4A 300V	1-Brown 2-N/A 3-Blue 4-Black	2m / 6.6 ft.	<b>93MSE2G</b>	<b>93M9E2G</b>	<b>93FS2G</b>	<b>93F92G</b>
	4m / 13.1 ft.			<b>93MSE4G</b>	<b>93M9E4G</b>	<b>93FS4G</b>	<b>93F94G</b>	
	5m / 16.3 ft.			<b>93MSE5G</b>	<b>93M9E5G</b>	<b>93FS4G</b>	<b>93F95G</b>	
4	Male 	4A 300V	1-Brown 2-White 3-Blue 4-Black	2m / 6.6 ft.	<b>94MSE2G</b>	<b>94M9E2G</b>	<b>94FS2G</b>	<b>94F92G</b>
	4m / 13.1 ft.			<b>94MSE4G</b>	<b>94M9E4G</b>	<b>94FS4G</b>	<b>94F94G</b>	
	5m / 16.3 ft.			<b>94MSE5G</b>	<b>94M9E5G</b>	<b>94FS5G</b>	<b>94F95G</b>	
5	Male 	4A 300V	1-Brown 2-White 3-Blue 4-Black 5-Grey	2m / 6.6 ft.	<b>95MSE2G</b>	<b>95M9E2G</b>	<b>95FS2G</b>	<b>95F92G</b>
	4m / 13.1 ft.			<b>95MSE4G</b>	<b>95M9E4G</b>	<b>95FS4G</b>	<b>95F94G</b>	
	5m / 16.3 ft.			<b>95MSE5G</b>	<b>95M9E5G</b>	<b>95FS5G</b>	<b>95F95G</b>	

